

ACDEU



Submersible Pump

Model HSV6B31-HYD

Size 6"

PUMP SPECIFICATIONS

Casing: Ductile Iron 65-45-12.

Maximum Operating Pressure 35 psi (241 kPa).*

Impeller: Six Vane Vortex, Stainless Steel CD4MCu.

Handles 5" (127 mm) Diameter Solids.

Wear Plate: Steel ASTM A569.

Wear Ring: Steel ASTM A36.

Bearing Housing: Ductile Iron 65-45-12.

Hydraulic Motor Housing: Ductile Iron 65-45-12.

Shaft: Stainless Steel 17-4PH.

Upper and Lower Bearings: Open Single Row Ball.

Bearing Lubrication: SAE 30 Non-Detergent Oil.

Discharge Flange: Ductile Iron.

O-Rings: Buna-N.

Wetted Hardware: Stainless Steel 18-8.

Standard Equipment:

Strainer/Pump Mounting Stand.

Hoisting Bail.

Hydraulic Motor Input and Output Hoses. 1 Ft. (304,8mm) long

with 1.00" NPT Quick Disconnect Fittings.

Maximum Temperature of Liquid Pumped, 170°F (77°C).*

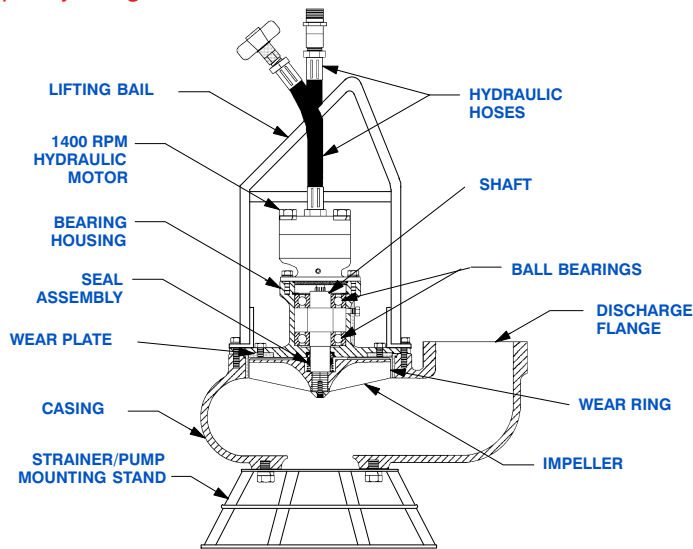
(Hydraulic Oil to motor should be cooled)

Optional Equipment:

1.00" (25,4mm) Hydraulic Hose w/Quick Disconnect Fittings.**

* Consult Factory for Applications Exceeding Maximum Pressure and/or Temperature Indicated.

** Hydraulic Hose Available in 50 Foot (15,2 Meter) Increments: Maximum Recommended Length 150 Feet (45,7 Meters), Specify Length at Time of Order.



HYDRAULIC MOTOR SPECIFICATIONS

Hydraulic Motor: Variable Speed Gear.

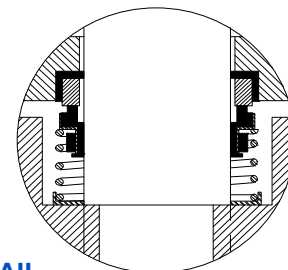
Hose Ports: 1.00" (25,4 mm) NPT.

Operating Pressure: Max. 2900 psi (19995 kPa).

Hydraulic Oil: 214-320 ssu @ 100°F (64°C).

Input Flow: Variable, 15-30 GPM (53-106 LPM).

Power Source: HSP-F4L or Any Open Center Hydraulic System with Flows of 15-30 GPM and Maximum Pressure of 2900 psi (19995 kPa).



SEAL DETAIL

Mechanical, Oil Lubricated. Carbon Rotating Face, Ceramic Stationary Face. Buna-N Elastomers. Stainless Steel 304 Cage and Spring.



THE GORMAN-RUPP COMPANY • MANSFIELD, OHIO

GORMAN-RUPP OF CANADA LIMITED • ST. THOMAS, ONTARIO, CANADA

www.grpumps.com

Specifications Subject to Change Without Notice

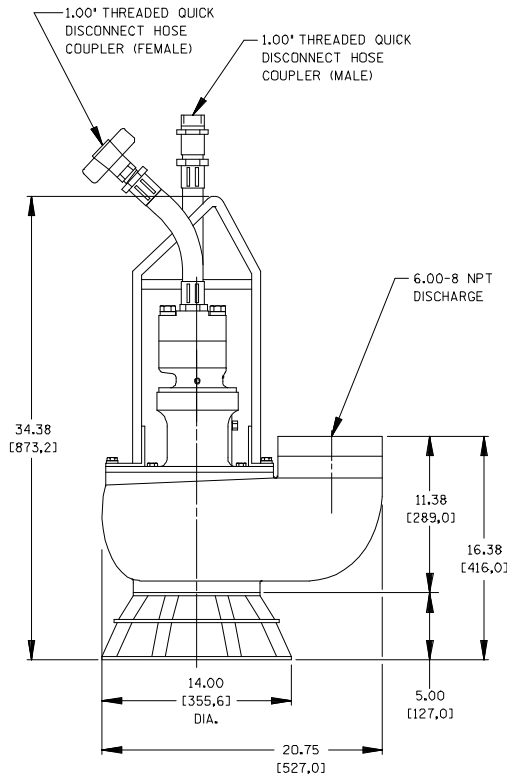
Printed in U.S.A.

Specification Data

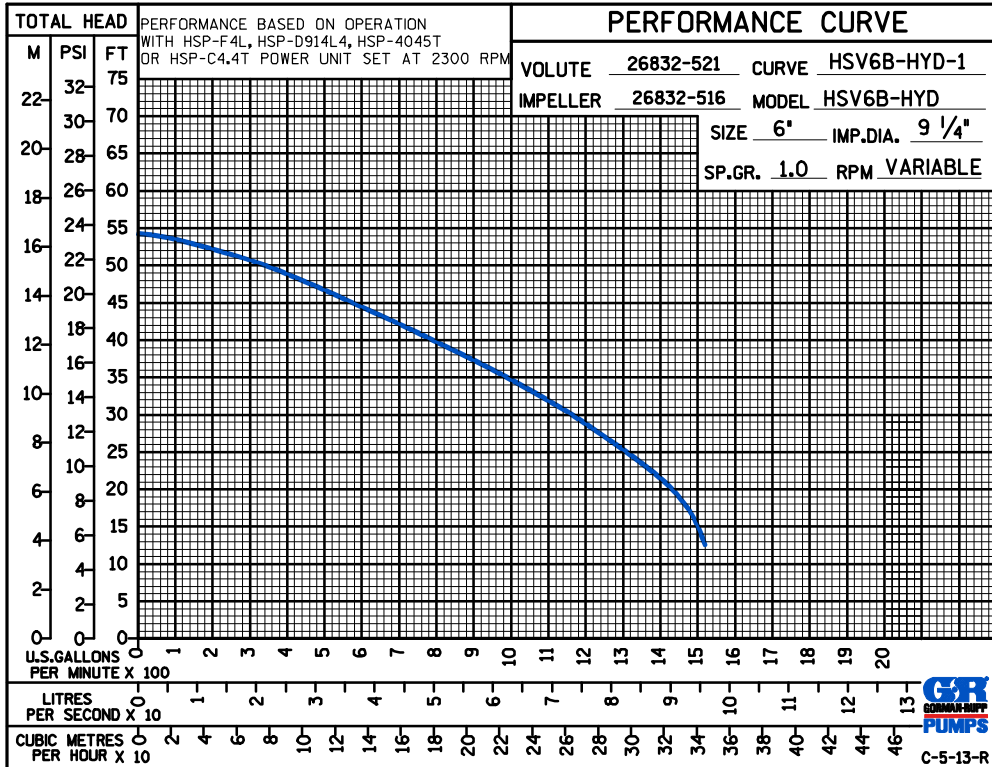
SECTION 140, PAGE 1050

APPROXIMATE
DIMENSIONS and WEIGHTS

NET WEIGHT: 389 LBS. (176 KG.)
SHIPPING WEIGHT: 440 LBS. (200 KG.)
EXPORT CRATE: 14.4 CU. FT. (0,41 CU. M.)



DIMENSIONS:
INCHES
[MILLIMETERS]



THE GORMAN-RUPP COMPANY • MANSFIELD, OHIO

GORMAN-RUPP OF CANADA LIMITED • ST. THOMAS, ONTARIO, CANADA

Specifications Subject to Change Without Notice

Printed in U.S.A.