

Electric Motor Driven



Submersible Shredder Sewage Pumps



1 to 5 Horsepower

DESCRIPTION

Submersible shredder sewage pumps feature an enhanced spiral shredder mechanism plate and carbide-tipped impeller to prevent clogging and reduce maintenance when cutting through stringy, fibrous and sludge-type waste. Applications include sewage pumping stations, septic tanks, sewage treatment plants, dirty water drainage, flood and emergency dewatering.

PUMP SPECIFICATIONS

SH2A3-E1 115/1 SHOWN



- Basic Construction:** Gray Iron.
 - Motor Housing:** Stainless Steel.
 - Motor Speed:** 3450 RPM.
 - Impeller:** Carbide Tipped Shredder Type.
 - Seals:** Tandem, Mechanical Oil Lubricated.
 - Upper:** Carbon Rotating Face. Ceramic Stationary Face.
Buna-N Elastomers.
 - Lower:** Silicon Rotating and Stationary Faces.
Buna-N Elastomers.
- Maximum Temperature of Liquid Pumped 104°F (40°C).

WARNING!

Do not use in explosive atmosphere or for pumping volatile flammable liquids.

SPECIFICATIONS								
Model	Ship Wt. (Approx.)	Disch. (NPT)	Max. Solids	Motor Type	VAC/Phase	H.P.	Hz	Amps
SH2A3-E1 115/1	50 lbs. 22,7 kg.	2"	1" (25mm)	Single Phase, Continuous Duty. Thermal Overload Protection.	115/1	1	60	13.5
SH2A3-E1 230/1	50 lbs. 22,7 kg.	2"	1" (25mm)	Single Phase, Continuous Duty. Thermal Overload Protection.	230/1	1	60	6.0
SH2A3-E1 460/3	50 lbs. 22,7 kg.	2"	1" (25mm)	Three Phase, Continuous Duty.	460/3	1	60	1.5
SH3A3-E2 230/1	82 lbs. 37,2 kg.	3"	1-1/8" (28mm)	Single Phase, Continuous Duty. Thermal Overload Protection.	230/1	2	60	12.0
SH3A3-E2 460/3	82 lbs. 37,2 kg.	3"	1-1/8" (28mm)	Three Phase, Continuous Duty.	460/3	2	60	3.0
SH4A3-E3 230/1	120 lbs. 54,4 kg.	4"	1-1/8" (28mm)	Single Phase, Continuous Duty. Thermal Overload Protection.	230/1	3	60	16.0
SH4B3-E5 460/3	110 lbs. 49,9 kg.	4"	1-1/3" (31mm)	Three Phase, Continuous Duty.	460/3	5	60	7.0



GORMAN-RUPP PUMPS

www.grpumps.com

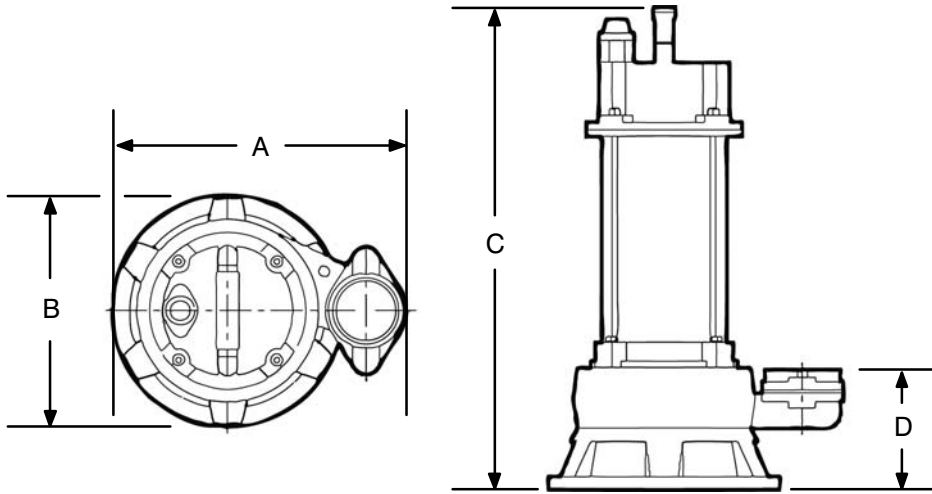
Specifications Subject to Change Without Notice

Printed in U.S.A.

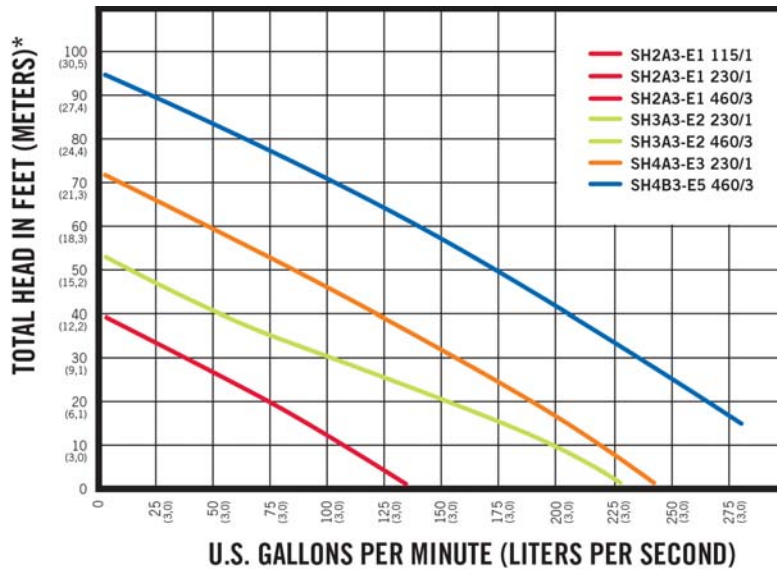
Specification Data

SECTION 130, PAGE 225

APPROXIMATE DIMENSIONS



DIMENSIONS					
Model	A	B	C	D	Cord Length
SH2A3-E1 115/1	11.50 (292,10)	8.90 (226,06)	18.50 (469,90)	5.80 (147,32)	18 ft. (5,5 m)
SH2A3-E1 230/1	11.50 (292,10)	8.90 (226,06)	18.50 (469,90)	5.80 (147,32)	18 ft. (5,5 m)
SH2A3-E1 460/3	11.50 (292,10)	8.90 (226,06)	18.50 (469,90)	5.80 (147,32)	18 ft. (5,5 m)
SH3A3-E2 230/1	14.00 (355,60)	10.50 (266,70)	21.70 (551,18)	6.60 (167,64)	32 ft. (9,8 m)
SH3A3-E2 460/3	14.00 (355,60)	10.50 (266,70)	17.60 (447,04)	6.60 (167,64)	32 ft. (9,8 m)
SH4A3-E3 230/1	16.20 (411,48)	10.50 (266,70)	22.90 (581,66)	6.70 (170,18)	32 ft. (9,8 m)
SH4B3-E5 460/3	16.20 (411,48)	10.50 (266,70)	19.70 (500,38)	6.70 (170,18)	32 ft. (9,8 m)



Curves are based on a specific gravity of 1.0 *To convert to PSI divide by 2.31



GORMAN-RUPP PUMPS

www.grpumps.com

Specifications Subject to Change Without Notice

Printed in U.S.A.