

Electric Motor Driven

A C U

# Submersible Pump

## Model S4A1-E25

### Size 4"



#### PUMP SPECIFICATIONS

- Diffuser:** Ductile Iron 80-60-03;  
Maximum Operating Pressure 83 psi (572 kPa).\*
- Semi-Open Type, Six Vane Impeller:** Ductile Iron 80-60-03.
- Suction Head:** Ductile Iron 120-90-02.
- Motor Housing:** Aluminum Alloy 356-T6.
- Intermediate Bracket:** Aluminum Alloy 356-T6.
- Strainer Plate:** Aluminum Alloy 356-T6.
- Motor Shaft:** Stainless Steel 17-4 PH.
- Bearings:** Upper and Lower, Open Single Row Ball.
- Discharge Flange:** Gray Iron 30.
- Gaskets:** Cork <sup>w/</sup>Nitrile Binder (NC710) and Vegetable Fiber.
- O-Ring:** Synthetic Rubber (DuPont Neoprene® or Equivalent).
- Wetted Hardware:** Standard Plated Steel and Stainless Steel.
- Strainer:** Urethane Coated Steel; 48% Open Area, 0.62" (15,7 mm) Square Openings.

**Hoisting Bail.** Urethane Coated Steel.

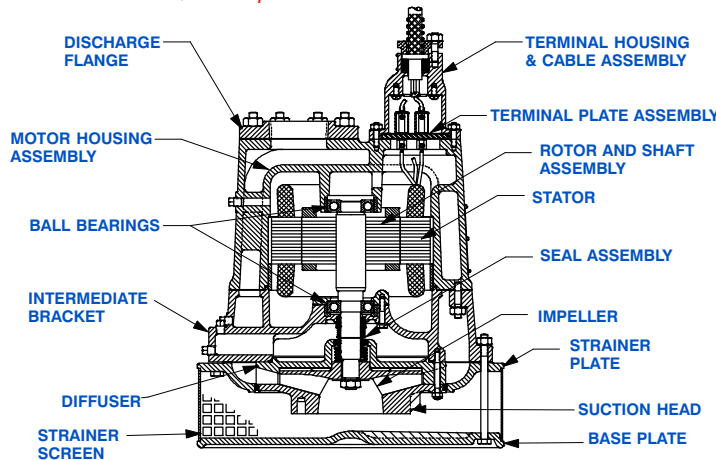
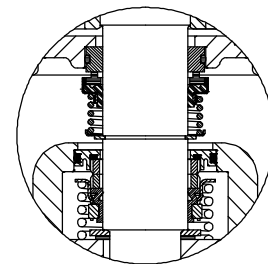
**Standard Equipment:** NEMA Type 3R Rainproof Control Box. Provides On-Off, Circuit Breaker and Motor Overload Protection. (See Section 130, Page 95.)

**Optional Equipment:** Staging Adapter Kit. Turtle Type Pressure Activated Level Switch. Float Activated Level Switch. (See Sec. 130, Page 150.)

#### MOTOR/CABLE SPECIFICATIONS

- Motor:** Oil Filled Enclosure; 25 H.P.; 1750 R.P.M.;  
Three Phase: 460/575 Volt, 60 Hz, 32/26 Full Load Amps, 21 kW (Max.)
- Power Cable:** 6 Wire; Type GGC; 6 AWG. 3 Power Conductors, plus 2 Ground Conductors and 1 Ground Check. Nominal Length 50 Feet (15 m) Standard. (Specify Alternate Length at Time of Order.)
- Recommended Generator Size:** 40 kW Across the Line Start, 25 kW for Reduced Voltage Starting.

\* Consult Factory for Applications Exceeding Maximum Pressure and/or Temperature Indicated.



#### SEAL SPECIFICATIONS

Tandem, Oil Lubricated.

**Upper Seal:** Type 2, Mechanical. Carbon Rotating Face. Ceramic Stationary Face. Buna-N Elastomers. Stainless Steel 18-8 Cage and Spring.

**Lower Seal:** Type 2, Mechanical. Tungsten Titanium Carbide Rotating and Stationary Faces. Stainless Steel 316 Stationary Seat. Fluorocarbon Elastomers (DuPont Viton® or Equivalent). Stainless Steel 18-8 Cage and Spring. Maximum Temperature of Liquid Pumped, 122°F (50°C).\*



THE GORMAN-RUPP COMPANY • MANSFIELD, OHIO

GORMAN-RUPP OF CANADA LIMITED • ST. THOMAS, ONTARIO, CANADA

www.grpumps.com

Specifications Subject to Change Without Notice

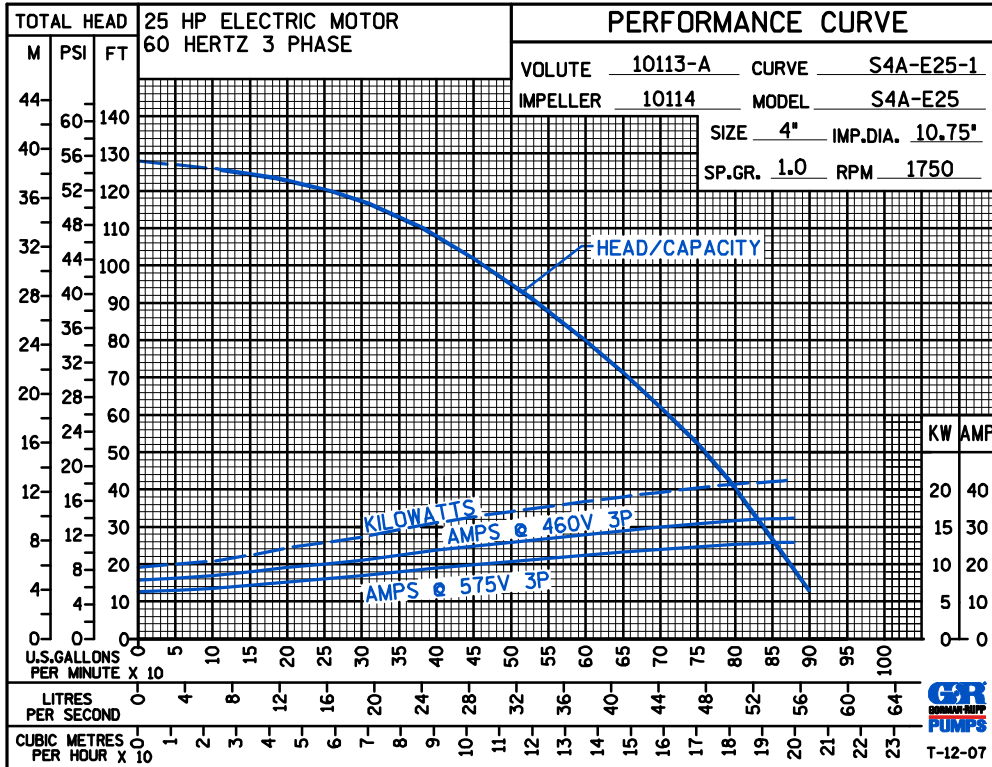
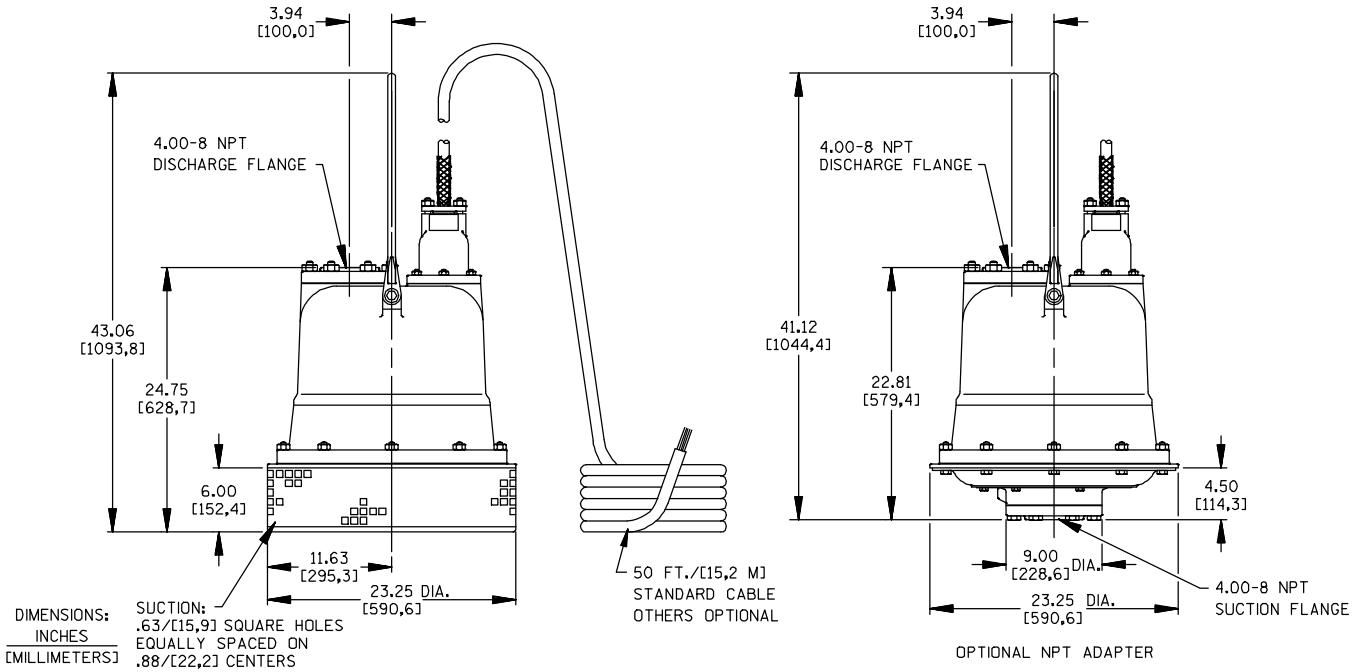
Printed in U.S.A.

**Specification Data**

APPROXIMATE  
DIMENSIONS and WEIGHTS

**NET WEIGHT:** 602 LBS. (273.1 KG.)  
**SHIPPING WEIGHT:** 642 LBS. (291,2 KG.)  
**EXPORT CRATE:** 31.0 CU. FT. (0,88 CU. M.)

SECTION 130, PAGE 1105



THE GORMAN-RUPP COMPANY • MANSFIELD, OHIO

GORMAN-RUPP OF CANADA LIMITED • ST. THOMAS, ONTARIO, CANADA

Specifications Subject to Change Without Notice

Printed in U.S.A.