

Submersible Pumps

Models
SF4A
SF4A-X
Size 4"

SF Series[®]
VARIOUS PATENTS APPLY



APPROVED
X-PROOF MOTORS FOR CLASS I,
DIV. 1, GROUPS C&D LOCATIONS
(X-Proof Version Only)

The Gorman-Rupp Infinity[®] brand of SF Series[®] channel pumps provide superior pumping efficiency while maintaining a 3-inch (76,2 mm) spherical solids passage.

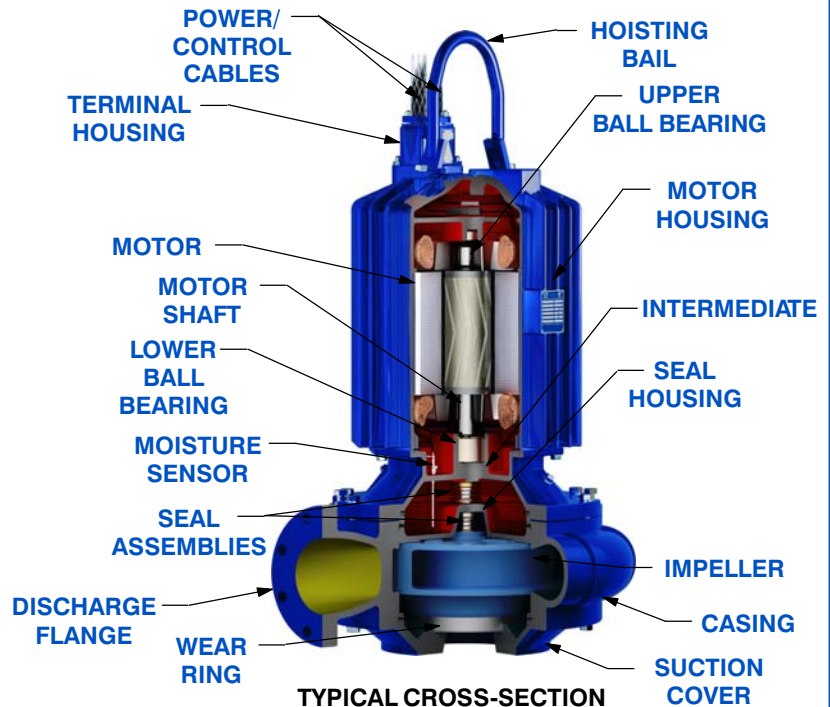
Key Features:

- NEMA premium efficiency motors
- Externally adjustable face clearance
- Press-fit motor with finned motor housing provides superior motor cooling, even in a submersed state, resulting in increased motor life
- NEMA Class H motor insulation
- Easy, in-the-field cable changes
- Standard moisture detection in both the seal and motor chambers
- CSA-C/US and Factory Mutual (FM) Approved for Class I, Division I, Group C and D Haz Loc Applications (X-Proof Model)



Optional Accessories:

- G-R Hard Iron Impeller
- Control Panel (Consult [SF Series Motor Data Reference](#) for Customer-Supplied Control Panel)
- Submersible Transducer or Ball Type Float Switches
- Slide Rail Installation Components
 - Guide shoe ^w/Rubber Seal
 - Base Elbow and Rail Brackets
- Trash Stand Installation Components
 - Trash Stand
 - Discharge Elbow



GORMAN-RUPP PUMPS

www.grpumps.com

Specifications Subject to Change Without Notice

Printed in U.S.A.

PUMP DETAILS

Pump Models	SF4A/SF4A-X	
Agency Approvals	FM/CSA-C/US	
Discharge Flange	4" ANSI ^{w/} Flat Face	
Impeller Type / Material	Three Vane Enclosed/ Ductile Iron	
Wear Ring	Ductile Iron	
Spherical Solids Handling	3" (76 mm) Non-Deformable Diameter	
Motor Housing (Including Seal Plate and Intermediate)	Gray Iron 30	
Pump Casing	Ductile Iron	
Motor Shaft/Shaft Sleeve	17-4 PH Stainless Steel	
O-Rings	Buna-N and Fluorocarbon (DuPont Viton [®] or Equivalent)	
Bearings:	Upper	Single Row Ball/Permanent Lubrication
Type/Lubrication	Lower	Double Row Ball/Permanent Lubrication
External Hardware	303/304 Stainless Steel	
External Surface Protection	Epoxy Paint	
Seal Type	Tandem, Mechanical, Oil Lubricated Upper, Self-Lubricated Lower	
Sealing Faces:	Upper	Carbon/Ceramic
Rotating/Stationary	Lower	Silicon Carbide/Silicon Carbide
Seal Elastomers	Buna-N Upper, Fluorocarbon (DuPont Viton [®] or Equivalent) Lower	
Max. Liquid Temperature	104°F (40°C)	

MOTOR DETAILS

Speed	60 Hz, 1750 RPM	
Motor Design	Inverter-Duty Rated, Air-Filled Enclosure, Squirrel Cage, Induction Start	
Motor Efficiency Rating	NEMA Premium Efficiency (IEC IE3)	
Insulation	Class H, Rated 356°F (180°C)	
Max. Submergence	65 Feet (20 Meters)	
Min. Submergence	1/2 Motor Covered	
Max. Starts per Hour	10	
Max. Rated Output Power	20 (14,9)	24.0 (17,9)
Amp Draw @ Max. Rated Power:	208V/3P	58.6/416
Full Load/ Locked Rotor	230V/3P	61.6/376
	460V/3P	30.8/188
	575V/3P	24.6/150
NEMA Motor Code	J	G
Service Factor	1.15	1.15
Efficiency: 100%/75%/50% Load	91%/89%/86%	92%/92%/91%
Power Factor: 100%/75%/50% Load	0.80/0.75/0.62	0.82/0.78/0.67
Field Connection	Across-the-Line	
Moisture Sensor	Single Probe Monitoring Both Seal and Motor Chambers	
Thermal Overload	One Thermostat per Phase, Self-Resetting	

CABLE DETAILS

Voltage		208-230/460V	575V
Power Cable	No. Cables/Conductors per	1/6	1/6
	Gauge	(3) 6 AWG PWR & (3) 10 AWG GND/GC	(3) 8 AWG PWR & (3) 10 AWG GND/GC
	Type/Material	GGC/CPE	GGC/CPE
	Nominal Cable O.D.	1.05" (26,7 mm)	0.97" (24,6 mm)
Control Cable	No. Cables/Conductors per	1/4	
	Gauge	14 AWG	
	Type/Material	SOOW/CPE	
	Nominal Cable O.D.	0.61" (15,5 mm)	
Length		32 Feet (10 Meters) Standard, 164 Feet (50 Meters) Maximum	



GORMAN-RUPP PUMPS

www.grpumps.com

Specifications Subject to Change Without Notice

Printed in U.S.A.

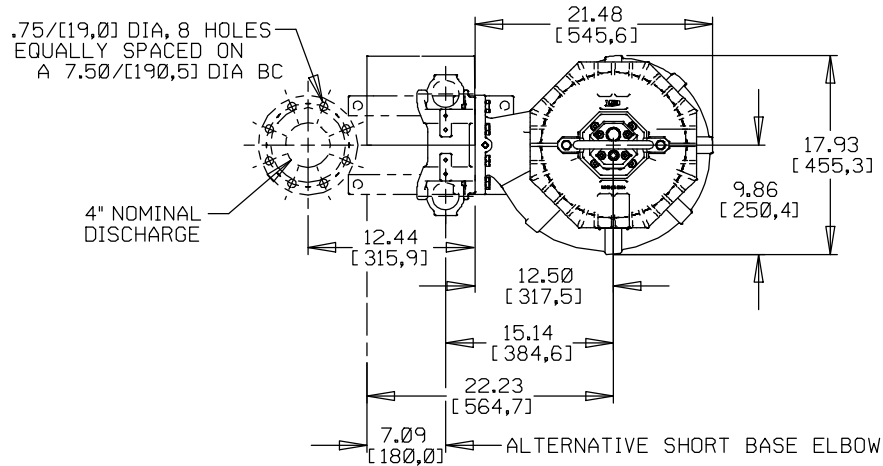
Specification Data

SECTION 133, PAGE 200.2

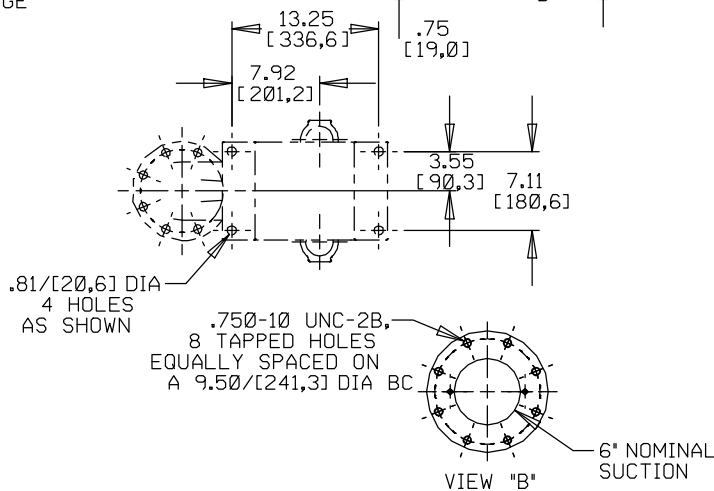
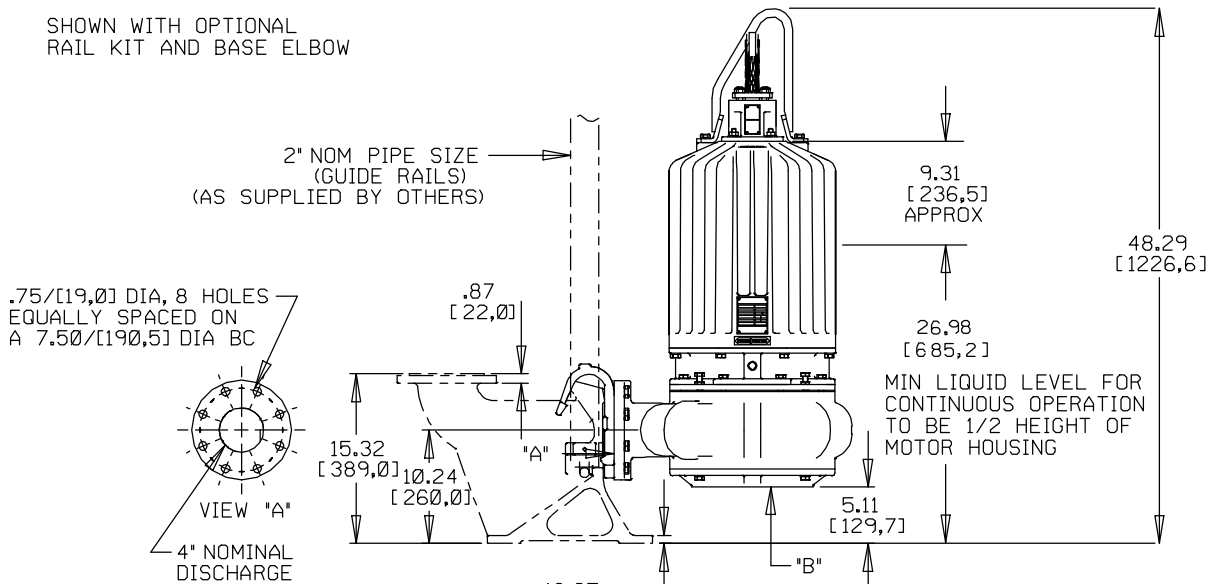
**MODELS SF4A/SF4A-X
SLIDE RAIL VERSION
APPROXIMATE
DIMENSIONS and WEIGHTS**

NET WT: (pump only)
(comb. cable wt. per meter [3.2 ft.])
SHIPPING WT: (pump only)
CRATE SIZE:

647 LBS. [293,5 KG.]
3.5 LBS. [1,6 KG.]
677 LBS. [307,1 KG.]
15.6 CU. FT. [0,44 CU. M.]



SHOWN WITH OPTIONAL RAIL KIT AND BASE ELBOW



DIMENSIONS:
INCHES
[MILLIMETERS]



GORMAN-RUPP PUMPS

www.grpumps.com

Specifications Subject to Change Without Notice

Printed in U.S.A.

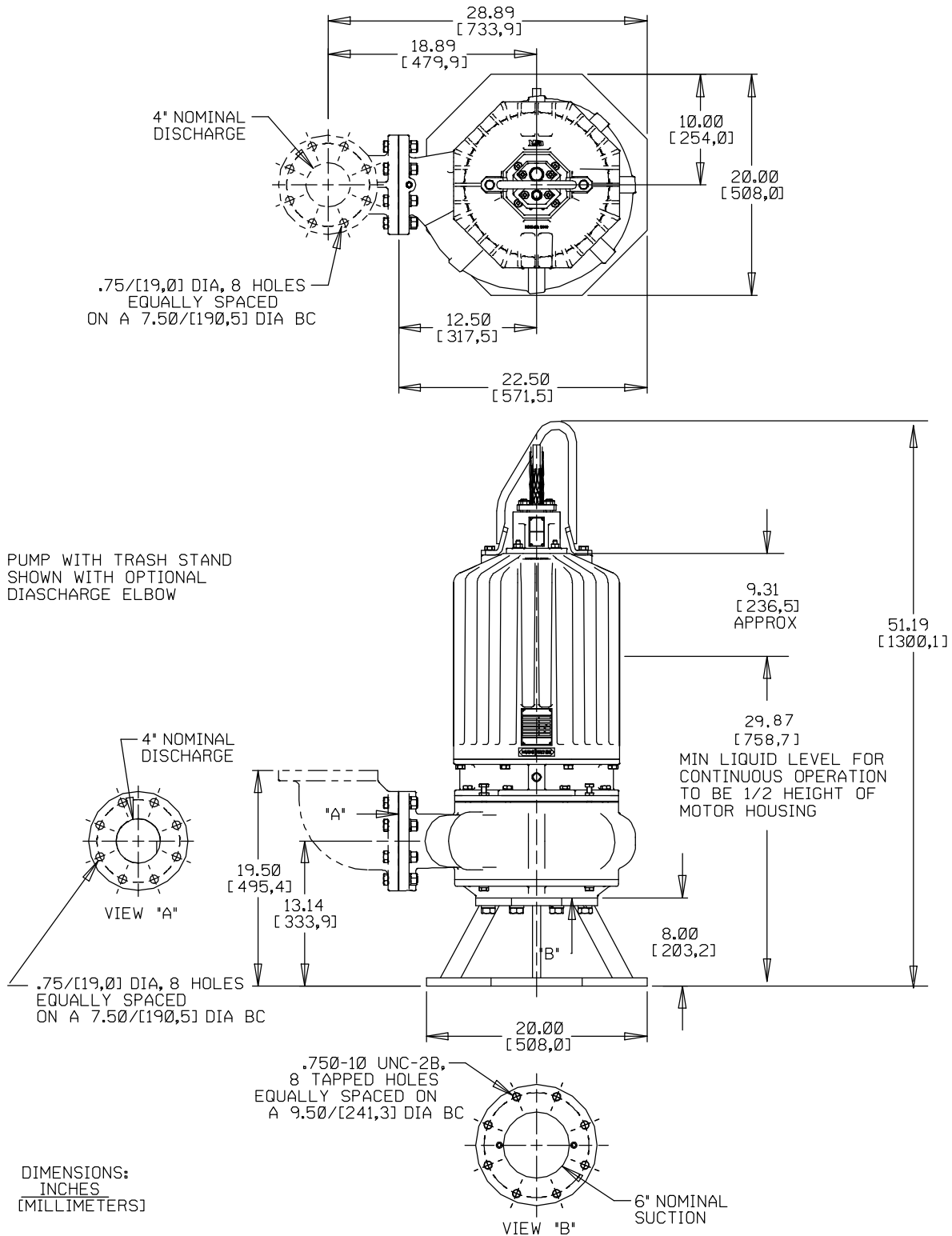
Specification Data

SECTION 133, PAGE 200.3

**MODELS SF4A/SF4A-X
TRASH VERSION
APPROXIMATE
DIMENSIONS and WEIGHTS**

NET WT: (pump only)
(comb. cable wt. per meter [3.2 ft.])
SHIPPING WT: (pump only)
CRATE SIZE:

670 LBS. [303,9 KG.]
3.5 LBS. [1,6 KG.]
700 LBS. [317,5 KG.]
17.5 CU. FT. [0,50 CU. M.]



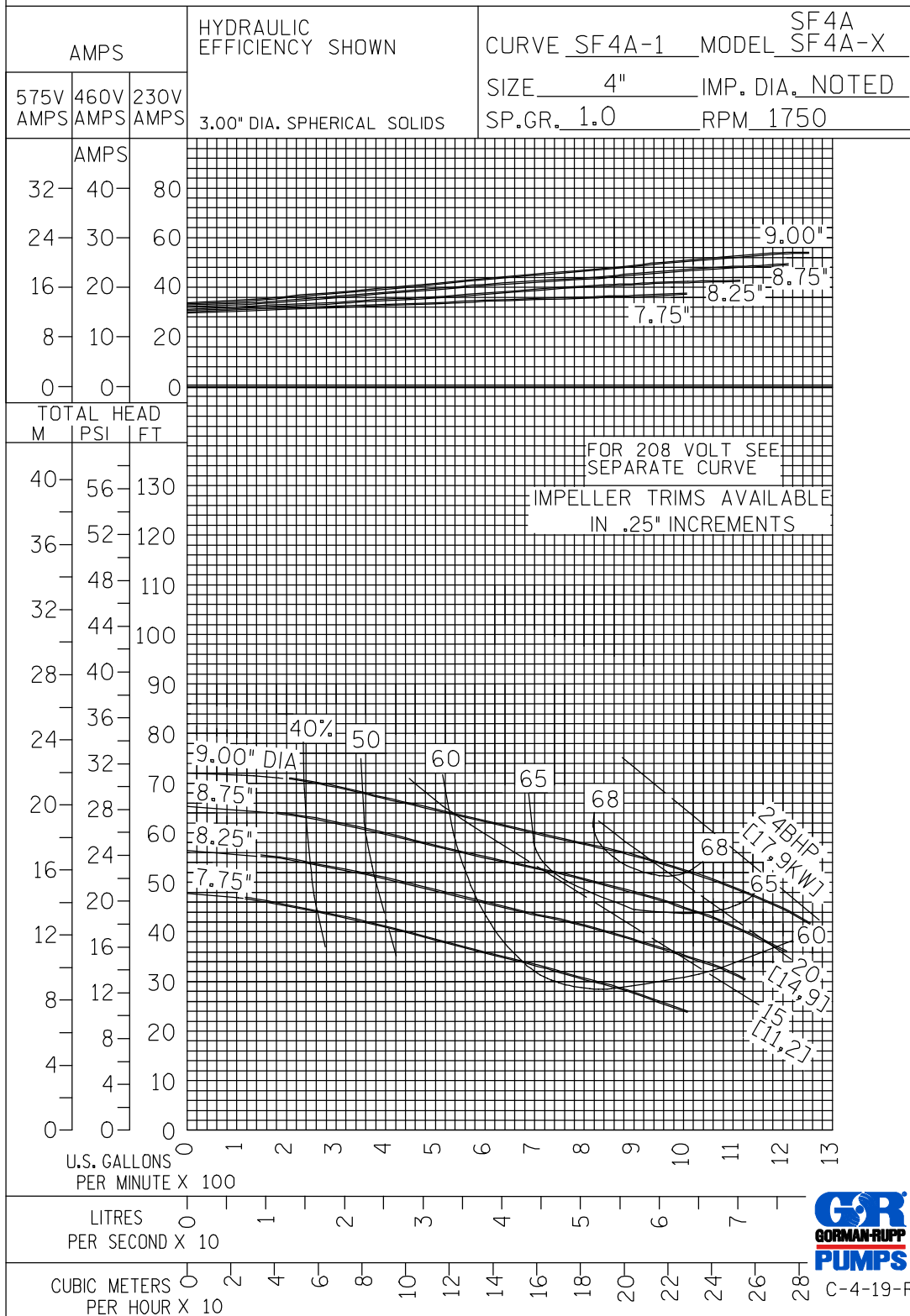
GORMAN-RUPP PUMPS

www.grpumps.com

Specifications Subject to Change Without Notice

Printed in U.S.A.

PERFORMANCE CURVE



C-4-19-R



GORMAN-RUPP PUMPS

www.grpumps.com

Specifications Subject to Change Without Notice

Printed in U.S.A.

PERFORMANCE CURVE

HYDRAULIC
EFFICIENCY SHOWN

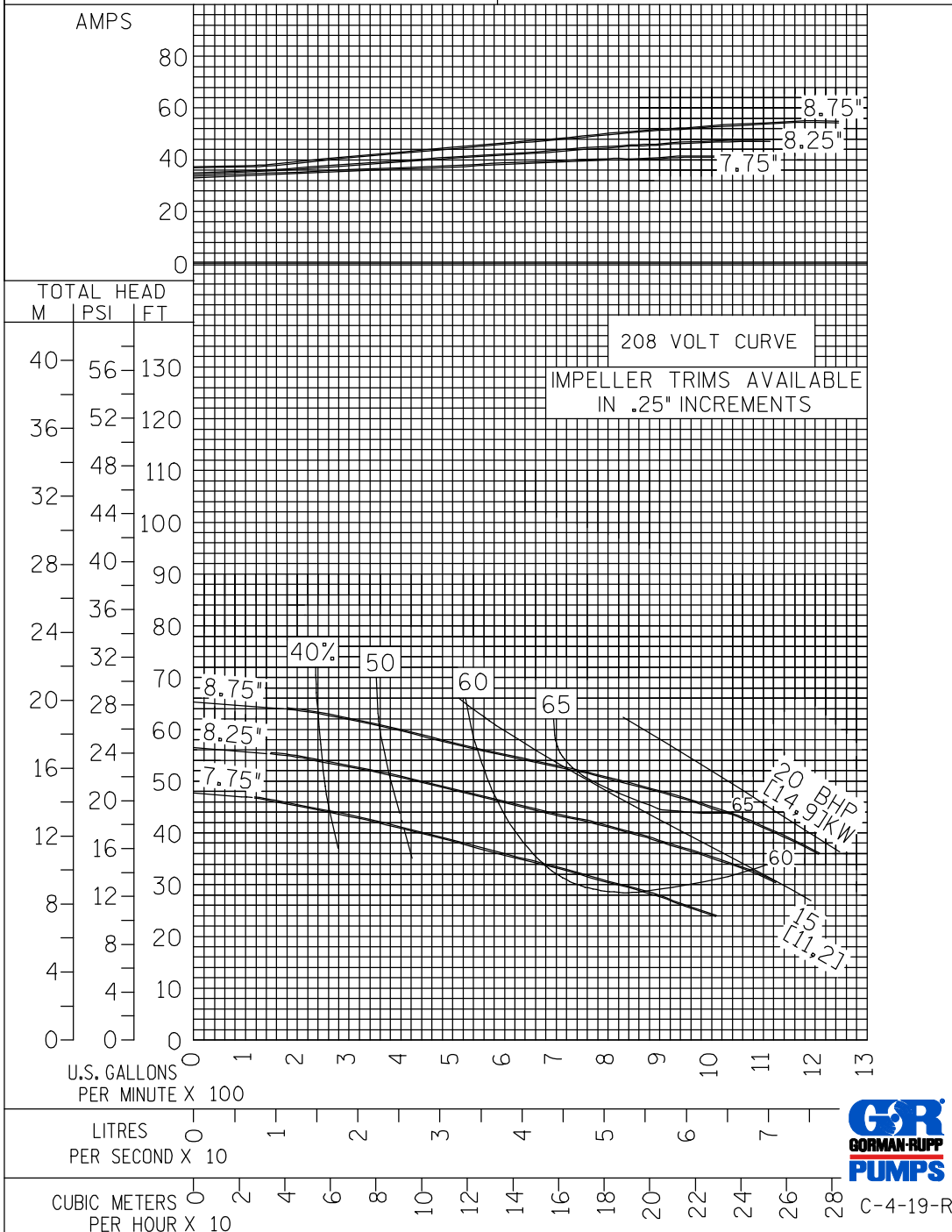
208 VOLT CURVE

3.00" DIA. SPHERICAL SOLIDS

CURVE SF4A-2 MODEL SF4A-X

SIZE 4" IMP. DIA. NOTED

SP.GR. 1.0 RPM 1750



GORMAN-RUPP PUMPS

www.grpumps.com

Specifications Subject to Change Without Notice

Printed in U.S.A.