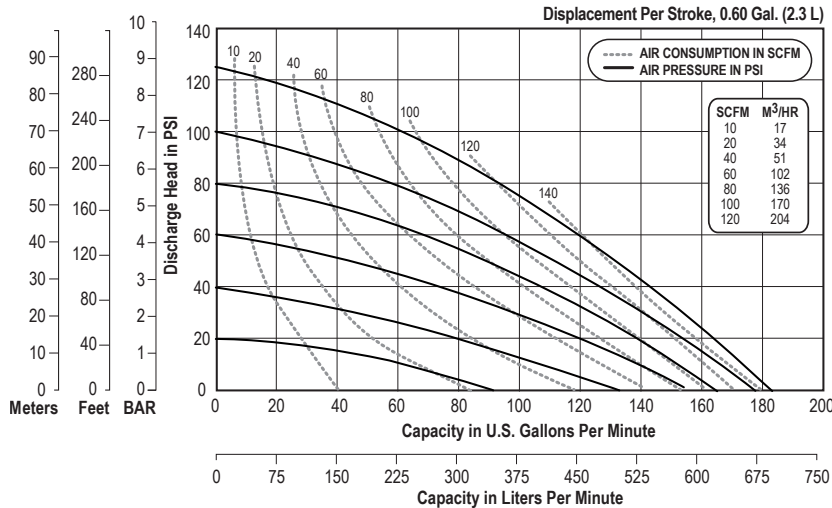


# E2 DATA SHEET

## SPECIFICATIONS & PERFORMANCE

## 2" Clamped Metal – ATEX with Metal Center Section

### PERFORMANCE



NOTE: Performance based on the following: elastomeric fitted pump, flooded suction, water at ambient conditions. The use of other materials and varying hydraulic conditions may result in deviations in excess of 5%.

### SPECIFICATIONS

#### Flow Rate

Adjustable to . . .0-185 gpm (700 lpm)

#### Port Size

Suction . . . . .2" NPT

Discharge . . . . .2" NPT

**Air Inlet** . . . . .1/2" NPT

**Air Exhaust** . . . . .1" NPT

#### Suction Lift

Dry . . . . .17' (5.2 m)

Wet . . . . .32' (9.8 m)

#### Max Solid Size (Diameter)

. . . . .1/4" (6.4 mm)

**Max Noise Level** . . . . . 96 dB(A)

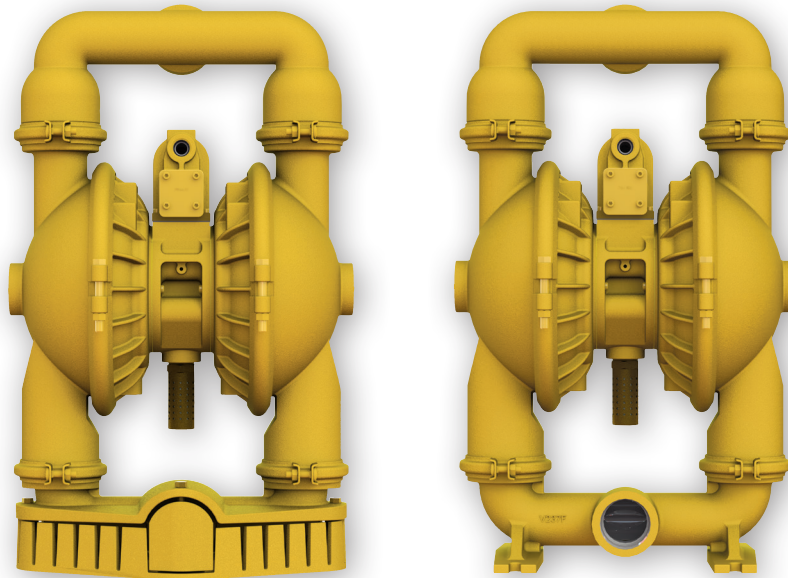
#### Shipping Weights

Aluminum . . . . . 65 lbs (29.5 kg)

Cast Iron . . . . . 113 lbs (51.3 kg)

Stainless . . . . . 106 lbs (48.1 kg)

\*\* Stainless Center add 31 lbs. (68.3 kg)



# VERSAMATIC®

Warren Rupp, Inc. | A Unit of IDEX Corporation  
800 North Main Street | Mansfield, OH 44902 USA  
Phone: 419.526.7296 | Fax: 419.526.7289

[VERSAMATIC.COM](http://VERSAMATIC.COM)

e2mdlCdsATEXC-rev0519

©Copyright 2019 Warren Rupp, Inc. All Rights Reserved.

# E2 DATA SHEET

## SPECIFICATIONS & PERFORMANCE

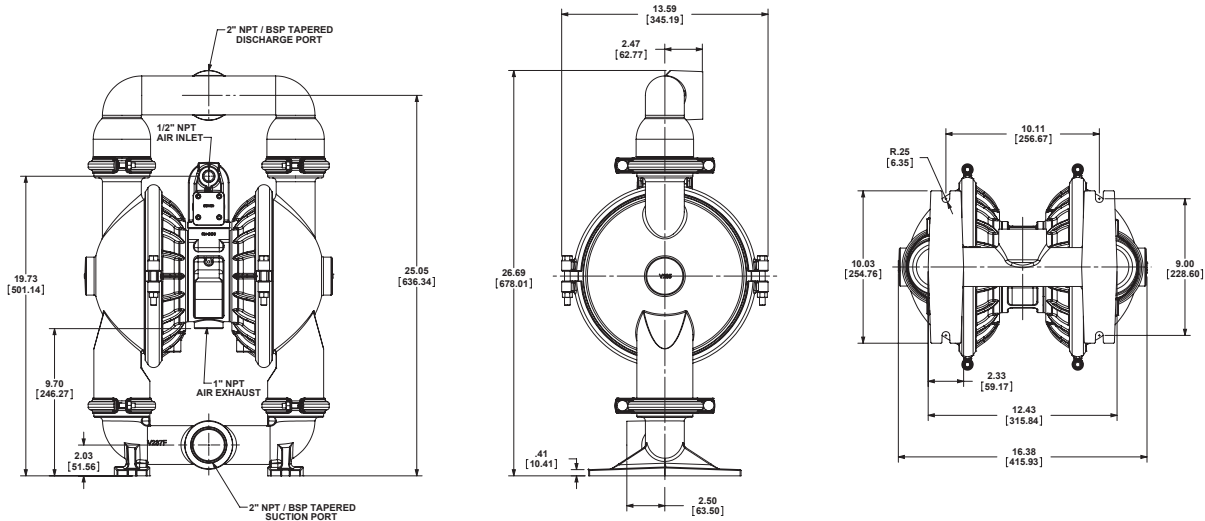
## 2" Clamped Metal – ATEX with Metal Center Section

### DIMENSIONS

#### E2 Clamped Metal — Aluminum

Dimensions in inches (mm dimensions in brackets)

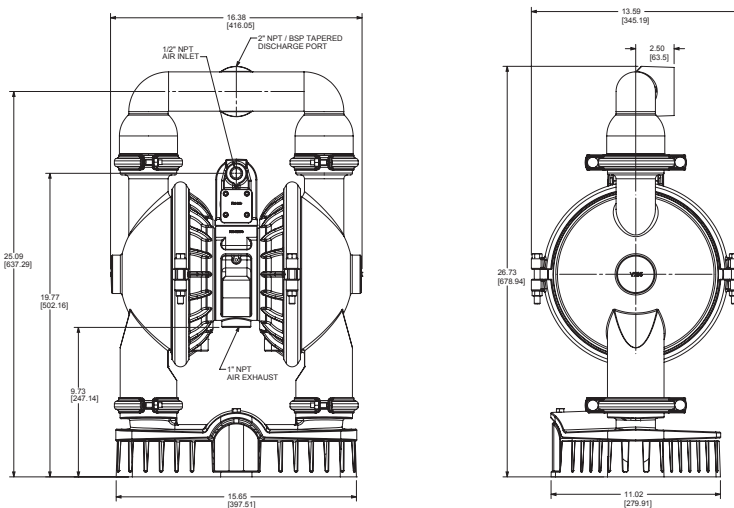
The dimensions on this drawing are for reference only. A certified drawing can be requested if physical dimensions are needed.



#### E2 Clamped Metal — Aluminum With Optional Screen Base

Dimensions in inches (mm dimensions in brackets)

The dimensions on this drawing are for reference only. A certified drawing can be requested if physical dimensions are needed.



**VERSAMATIC®**

Warren Rupp, Inc. | A Unit of IDEX Corporation  
800 North Main Street | Mansfield, OH 44902 USA  
Phone: 419.526.7296 | Fax: 419.526.7289

[VERSAMATIC.COM](http://VERSAMATIC.COM)

e2mdlCdsATEXC-rev0519

©Copyright 2019 Warren Rupp, Inc. All Rights Reserved.

# E2 DATA SHEET

## SPECIFICATIONS & PERFORMANCE

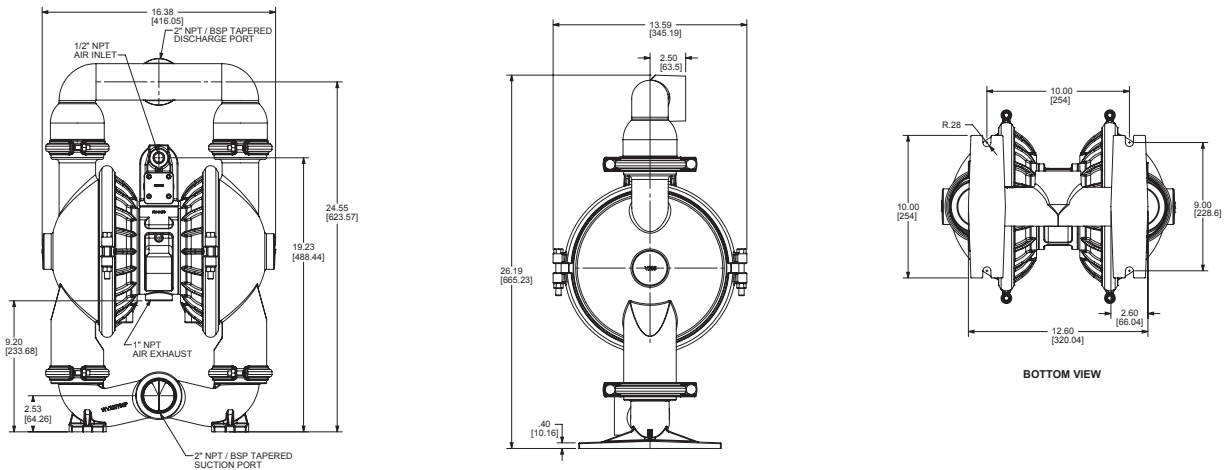
## 2" Clamped Metal – ATEX with Metal Center Section

### DIMENSIONS

#### E2 Clamped Metal - Cast Iron

Dimensions in inches (mm dimensions in brackets)

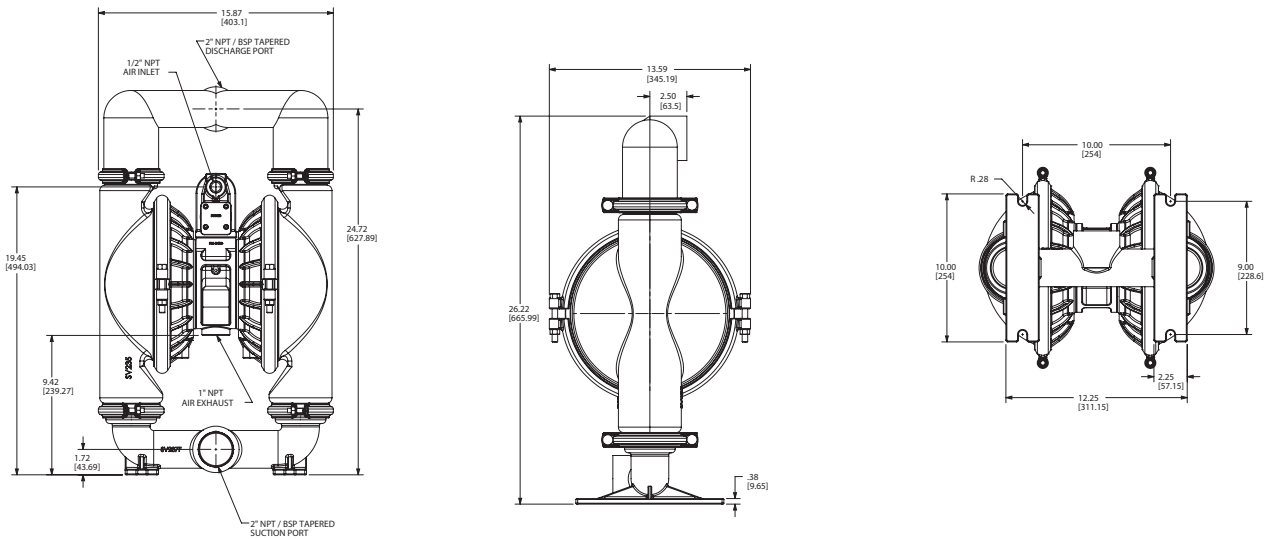
The dimensions on this drawing are for reference only. A certified drawing can be requested if physical dimensions are needed.



#### E2 Clamped Metal - Stainless

Dimensions in inches (mm dimensions in brackets)

The dimensions on this drawing are for reference only. A certified drawing can be requested if physical dimensions are needed.



**VERSAMATIC®**

Warren Rupp, Inc. | A Unit of IDEX Corporation  
800 North Main Street | Mansfield, OH 44902 USA  
Phone: 419.526.7296 | Fax: 419.526.7289

[VERSAMATIC.COM](http://VERSAMATIC.COM)

e2mdlCdsATEXC-rev0519

©Copyright 2019 Warren Rupp, Inc. All Rights Reserved.