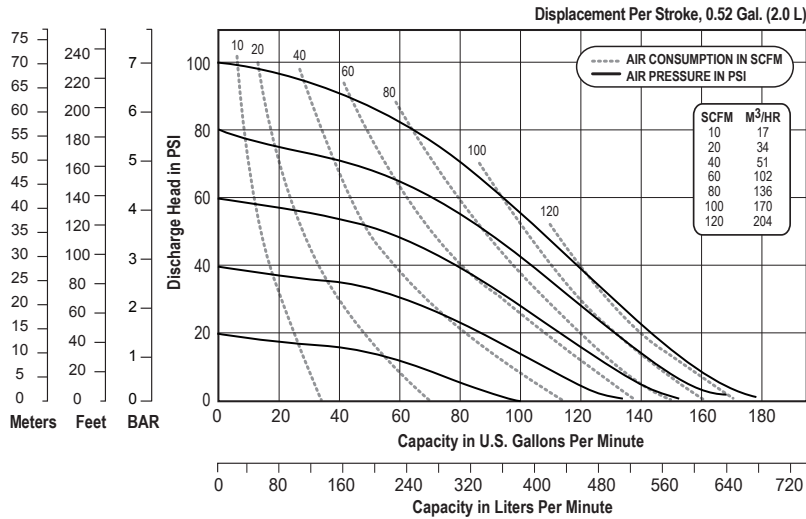


# E2 DATA SHEET

## SPECIFICATIONS & PERFORMANCE

## 2" Bolted Plastic with Metal Center Section

### PERFORMANCE



NOTE: Performance based on the following: elastomeric fitted pump, flooded suction, water at ambient conditions. The use of other materials and varying hydraulic conditions may result in deviations in excess of 5%.

### SPECIFICATIONS

#### Flow Rate

Adjustable to . . .0-177 gpm (670 lpm)

#### Port Size

Suction 2" ANSI, 150 Class (DIN 50)

Discharge 2" ANSI, 150 Class (DIN 50)

**Air Inlet** . . . . . 1/2" NPT

**Air Exhaust** . . . . . 1" NPT

#### Suction Lift

Dry . . . . . 16' (4.9 m)

Wet . . . . . 32' (9.8 m)

#### Max Solid Size (Diameter)

. . . . . 1/4" (6.3 mm)

**Max Noise Level** . . . . . 96 dB(A)

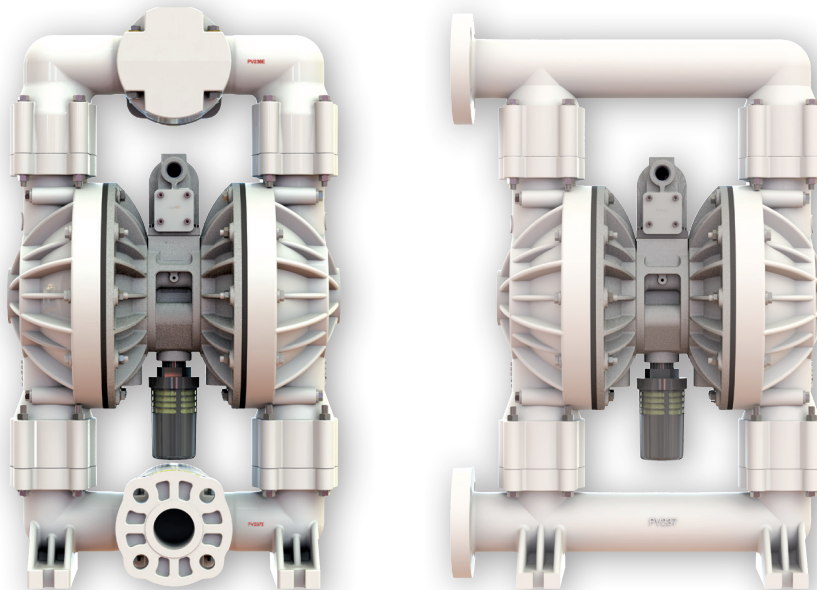
#### Shipping Weights

Polypropylene . . . . . 69 lbs (31.3 kg)

w/ center port options 73 lbs (33.1 kg)

PVDF . . . . . 93 lbs (42.2 kg)

w/ center port options 100 lbs (45.4 kg)



# VERSAMATIC®

Warren Rupp, Inc. | A Unit of IDEX Corporation  
800 North Main Street | Mansfield, OH 44902 USA  
Phone: 419.526.7296 | Fax: 419.526.7289

[VERSAMATIC.COM](http://VERSAMATIC.COM)

e2nmdICdsPB-rev0519

©Copyright 2019 Warren Rupp, Inc. All Rights Reserved.

# E2 DATA SHEET

## SPECIFICATIONS & PERFORMANCE

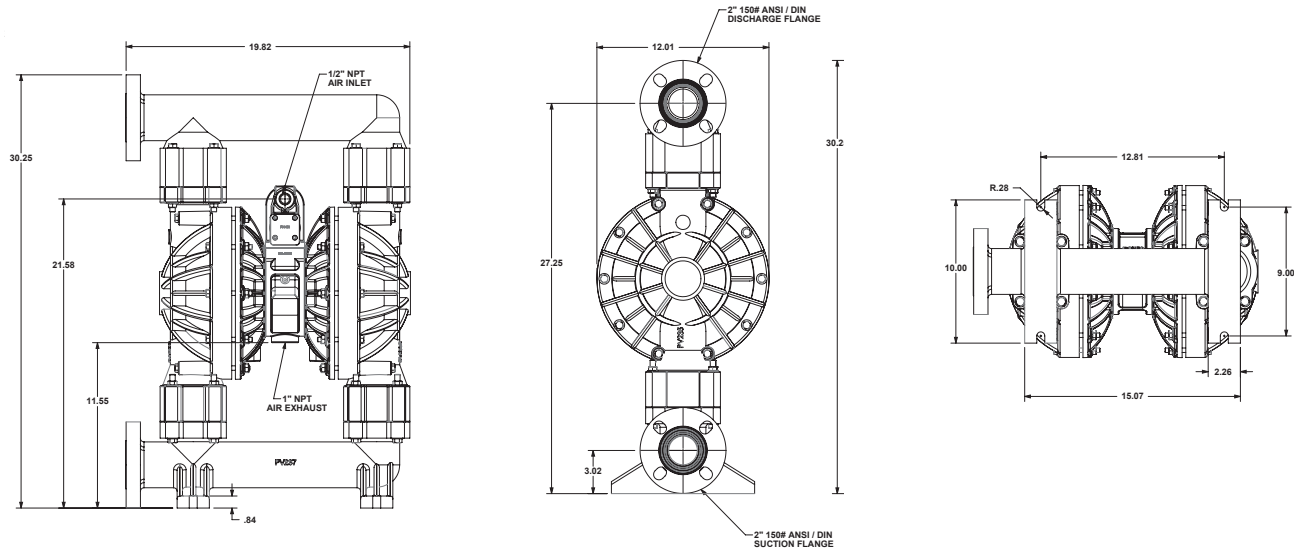
### 2" Bolted Plastic with Metal Center Section

#### DIMENSIONS

##### E2 Bolted Plastic

Dimensions in inches (mm dimensions in brackets)

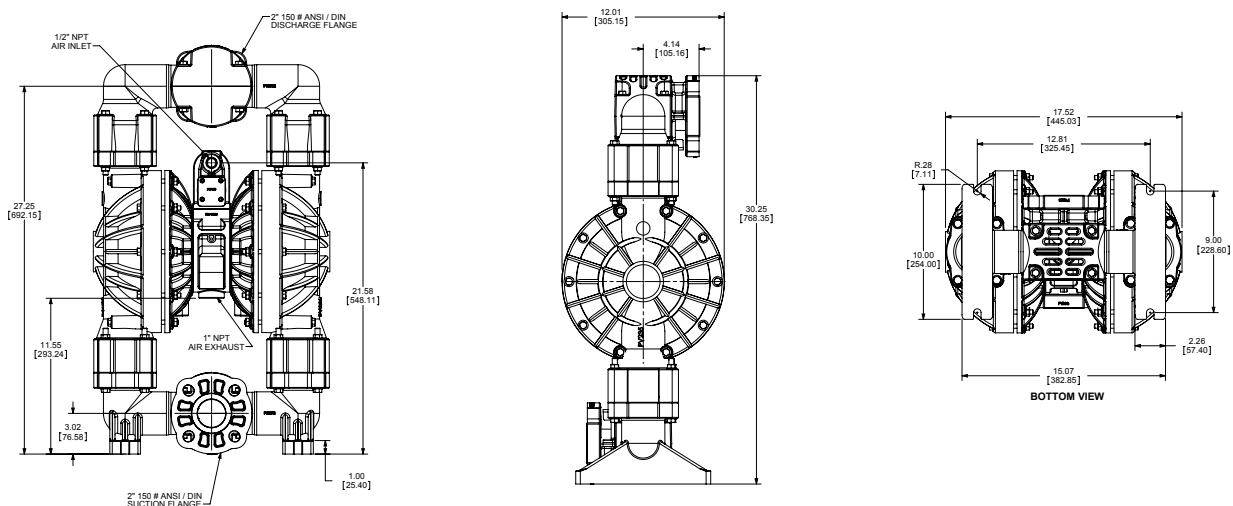
The dimensions on this drawing are for reference only. A certified drawing can be requested if physical dimensions are needed.



##### E2 Bolted Plastic - Optional Center Porting

Dimensions in inches (mm dimensions in brackets)

The dimensions on this drawing are for reference only. A certified drawing can be requested if physical dimensions are needed.



# VERSAMATIC®

Warren Rupp, Inc. | A Unit of IDEX Corporation  
800 North Main Street | Mansfield, OH 44902 USA  
Phone: 419.526.7296 | Fax: 419.526.7289

[VERSAMATIC.COM](http://VERSAMATIC.COM)

e2nmdICdsPB-rev0519

©Copyright 2019 Warren Rupp, Inc. All Rights Reserved.